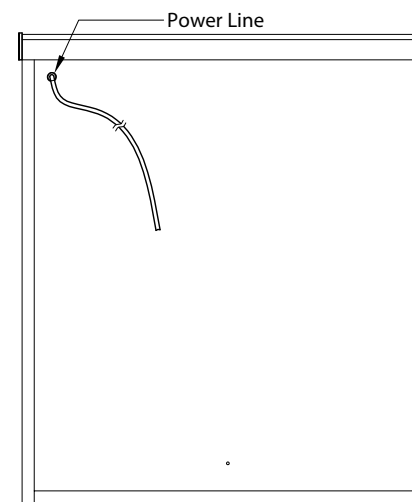
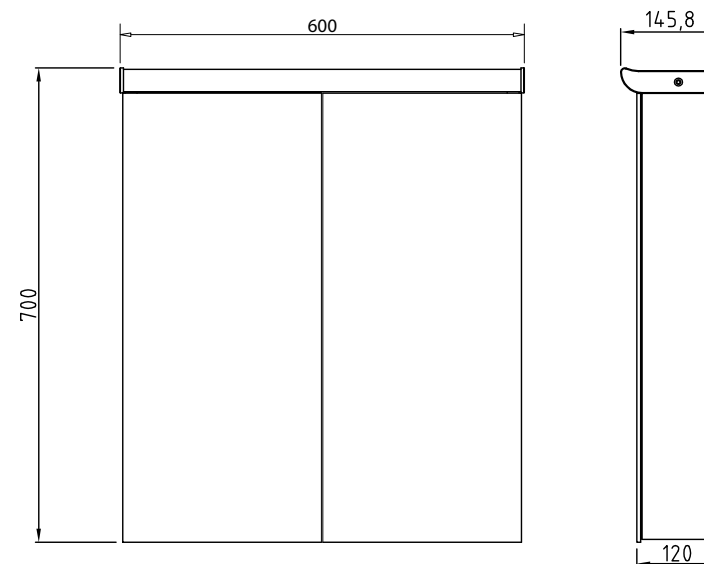


Remi 60 LED Mirror Cabinet - MSCAREM60

RANGE	Remi
SIZE (MM)	H 700 X W 600 X D 146
NET WEIGHT	12.95 Kg
FEATURES	<ul style="list-style-type: none">• LED Mirror Cabinet• Multi Functional Infrared Sensor Controls• 2 Glass Shelves• Charging Socket• IP44• Two Doors



The information contained on this page was correct at date of issue. Fitting dimensions are provided as a guide only. Some variation may occur due to manufacturing tolerances. We pursue a policy of continuing improvement in design and performance of our products and so reserve the right to change specifications without prior notice.