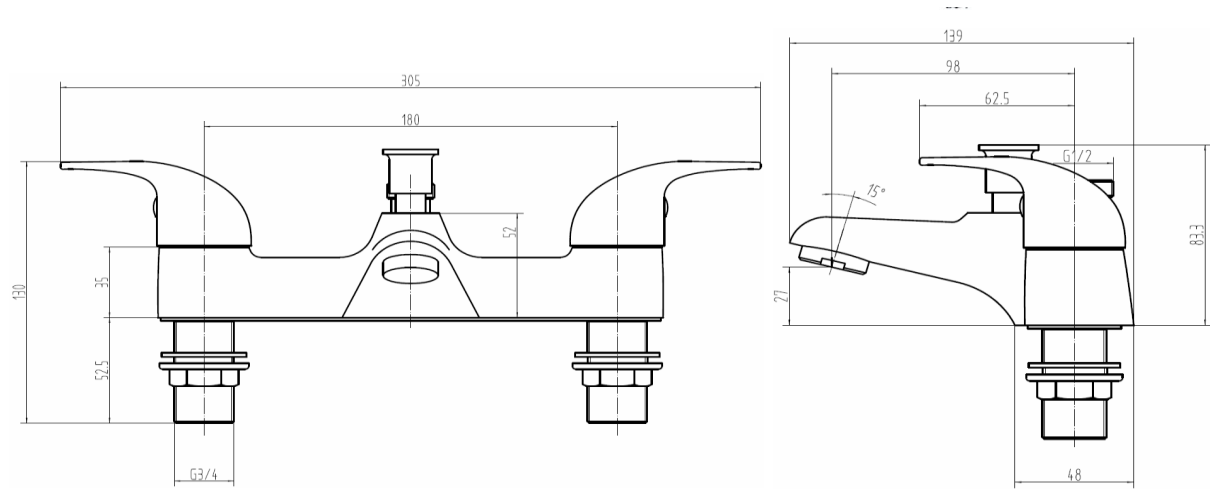


# Firm Bath Shower Mixer - MSTAFI5

<b>CONSTRUCTION</b>	Brass Body ; Zinc-Alloy Handles
<b>FINISHES</b>	Chrome Plated to BS EN 248
<b>PRODUCT TYPE</b>	Contemporary
<b>WATER PRESSURE</b>	Min. 0.2 Bar, Max. 6.0 Bar
<b>PLUMBING SYSTEMS</b>	Suitable for all Plumbing Systems, Hot and Cold Water Pressure Preferably Balanced; Max. Supply Pressure Differential Requirement No Greater than 5:1
<b>STANDARDS</b>	Complies with BS5412, BS EN200
<b>CARTRIDGE</b>	1/4 Turn 1/Cartridge 2" Ceramic Disc Valves
<b>NET WEIGHT</b>	2.43 Kg
<b>AERATOR</b>	Laminar Stream Straightener
<b>FITTING</b>	Brass G3/4" BSP Tails
<b>ADDITIONAL INFORMATION</b>	<ol style="list-style-type: none"> <li>1. Shower Handset : Chrome , ABS , Single Mode</li> <li>2. Handset Holder : Chrome , ABS , Wall Mounted</li> <li>3. Shower Hose : Stainless Steel , Double Interlock 1.5m , G1/2" BSP Connections</li> </ol>



**Flow Rates** (Litres per minute)

SYSTEM PRESSURE	0.1 Bar	0.2 Bar	0.3 Bar	0.5 Bar	1.0 Bar	1.5 Bar	2.0 Bar	3.0 Bar	4.0 Bar	5.0 Bar
	9.8	11.5	-	16.2	21.9	26.9	30.5	36.8	-	-

The information contained on this page was correct at date of issue. Fitting dimensions are provided as a guide only. Some variation may occur due to manufacturing tolerances. We pursue a policy of continuing improvement in design and performance of our products and so reserve the right to change specifications without prior notice.