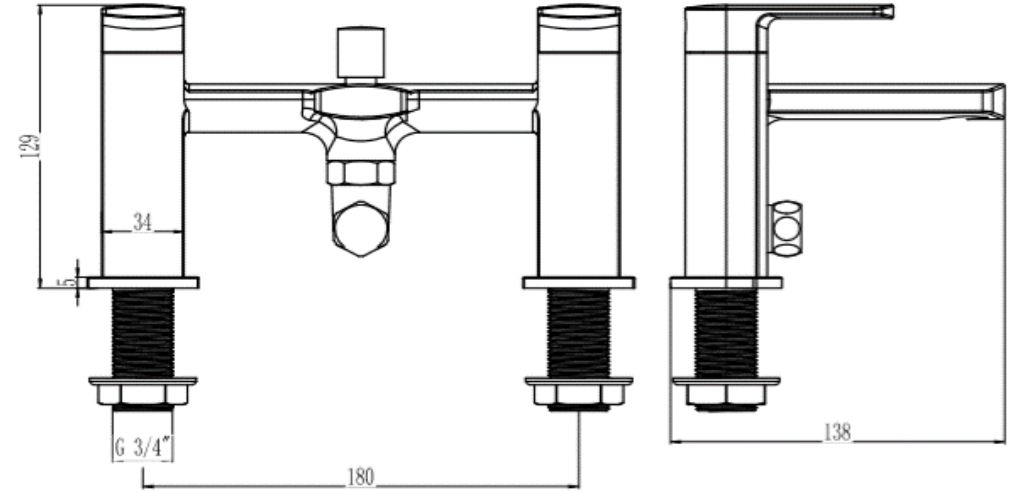


# Enya Bath Shower Mixer - MSTAE5

<b>CONSTRUCTION</b>	Brass Body (CuZn40Pb2), EN CW617N (Equivalent to BS CZ122) Zinc-Alloy Handles & Base Plates
<b>FINISHES</b>	Chrome Plated to BS EN 248
<b>PRODUCT TYPE</b>	Contemporary
<b>WATER PRESSURE</b>	Min. 0.2 Bar (Handset) 0.5 Bar (Spout), Max. 6.0 Bar
<b>PLUMBING SYSTEMS</b>	Suitable for All Plumbing Systems, Hot and Cold Water Pressure Preferably Balanced Max. Supply Pressure Differential Requirement No Greater Than 5:1
<b>STANDARDS</b>	Complies with BS5412, BS EN200
<b>NET WEIGHT</b>	2.5 Kg
<b>CARTRIDGE</b>	1/4 Turn 3/4" Ceramic Disc Valves
<b>FITTING</b>	Brass G3/4" BSP Tails (Hot & Cold)
<b>AERATOR</b>	M24*1 ABS Spout Aerator
<b>ADDITIONAL INFORMATION</b>	Supplied with Chrome , Stainless Steel , Double Interlock 1.5m Hose , Chrome Single Mode ABS Handset & Wall Mounted Holder



**Flow Rates** (Litres per minute)

SYSTEM PRESSURE	0.1 Bar	0.2 Bar	0.3 Bar	0.5 Bar	1.0 Bar	1.5 Bar	2.0 Bar	3.0 Bar	4.0 Bar	5.0 Bar
	-	7.8	-	11.9	16.9	18.3	24.0	27.4	-	-

The information contained on this page was correct at date of issue. Fitting dimensions are provided as a guide only. Some variation may occur due to manufacturing tolerances. We pursue a policy of continuing improvement in design and performance of our products and so reserve the right to change specifications without prior notice.