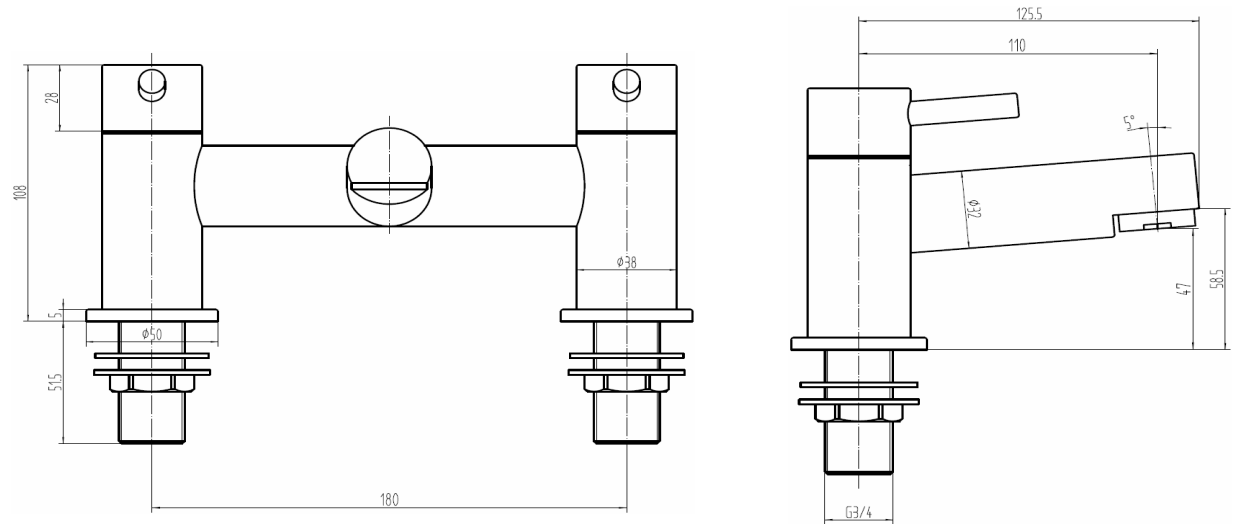


Avon Bath Filler - MSTAAV4

CONSTRUCTION	ZBrass Body (CuZn40Pb2), EN CW617N (equivalent to BS CZ122); Zinc-Alloy Handles
FINISHES	Chrome plated to BS EN 248
PRODUCT TYPE	Contemporary
WATER PRESSURE	Min. 0.2 Bar, Max. 6.0 Bar
PLUMBING SYSTEMS	Suitable for all Plumbing Systems, Hot and Cold Water Pressure Preferably Balanced; Max. Supply Pressure Differential Requirement No Greater than 5:1
STANDARDS	Complies with BS5412, BS EN200
CERTIFICATION	WRAS Approved and Certified
CARTRIDGE	1/4 Turn 3/4" Ceramic Disc Valves
NET WEIGHT	10 Kg
AERATOR	Spout Aerator
FITTING	Brass G3/4" BSP Tails



Flow Rates (Litres per minute)

SYSTEM PRESSURE	0.1 Bar	0.2 Bar	0.3 Bar	0.5 Bar	1.0 Bar	1.5 Bar	2.0 Bar	3.0 Bar	4.0 Bar	5.0 Bar
	8.5	8.7	-	10.3	11.9	13.8	15.3	19.0	-	-



The information contained on this page was correct at date of issue. Fitting dimensions are provided as a guide only. Some variation may occur due to manufacturing tolerances. We pursue a policy of continuing improvement in design and performance of our products and so reserve the right to change specifications without prior notice.