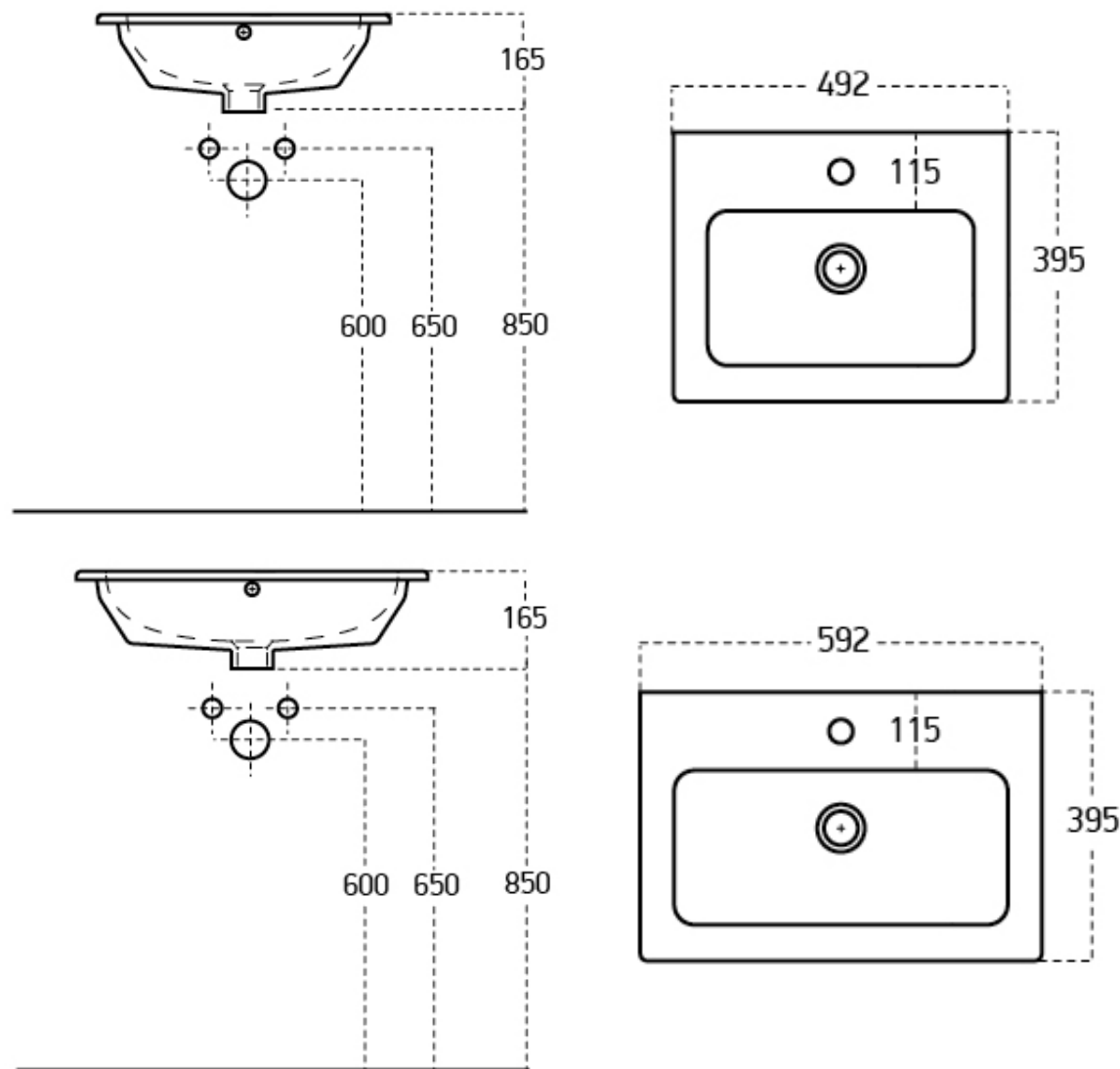


Foley 1th Ceramic Basin - 500mm & 600mm

RANGE	Foley
CODE(S)	MSFFO50BA MSFFO60BA
SIZE (MM)	500MM: H 165 X W 492 X D 395 600MM: H 165 X W 592 X D 395
BASIN MATERIAL	Ceramic
TAP HOLE(S)	One
NET WEIGHT	500mm: 10Kg 600mm: 11.5KG
ADDITIONAL INFORMATION	Compatible with Foley 500mm & 600mm Furniture Units: MSFFO50WMWH / MSFFO50WMGR MSFFO50FMWH / MSFFO50FMGR MSFFO60WMWH / MSFFO60WMGR MSFFO60FMWH / MSFFO60FMGR



500mm

600mm



The information contained on this page was correct at date of issue. Fitting dimensions are provided as a guide only. Some variation may occur due to manufacturing tolerances. We pursue a policy of continuing improvement in design and performance of our products and so reserve the right to change specifications without prior notice.