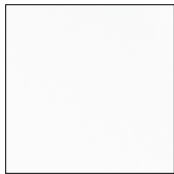


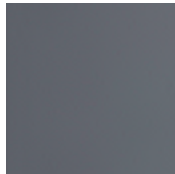
# Atmore 550mm 2 Door Wall Unit - Short Projection

<b>RANGE</b>	Atmore
<b>CODE</b>	MSFAT55FMWH MSFAT55FMGR MSFAT55BA
<b>SIZE (MM)</b>	H 560 x W 550 x D 370 inc. Basin
<b>FINISH</b>	Matt/Gloss
<b>BASIN MATERIAL</b>	Ceramic
<b>TAP HOLE(S)</b>	One
<b>NET WEIGHT</b>	Unit: 14.2 Kg , Basin: 12.1 Kg
<b>ADDITIONAL INFORMATION</b>	<ul style="list-style-type: none"> <li>Compatible with 550mm 1th Ceramic Basin- Short Projection</li> <li>No Overflow, needs Unslotted Waste</li> </ul>

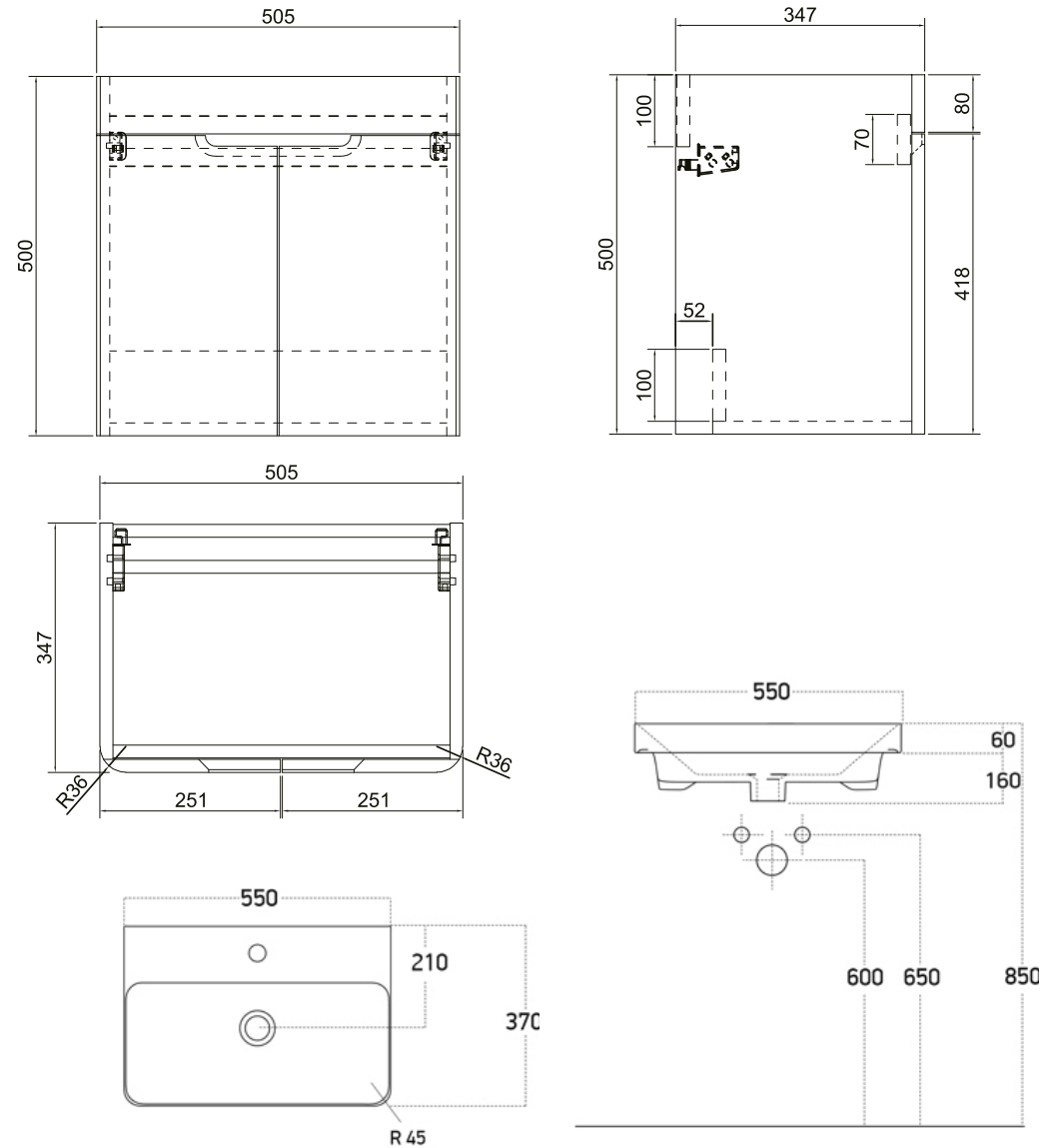
**COLOUR OPTIONS:**



White  
Gloss



Grey  
Matt



The information contained on this page was correct at date of issue. Fitting dimensions are provided as a guide only. Some variation may occur due to manufacturing tolerances. We pursue a policy of continuing improvement in design and performance of our products and so reserve the right to change specifications without prior notice.